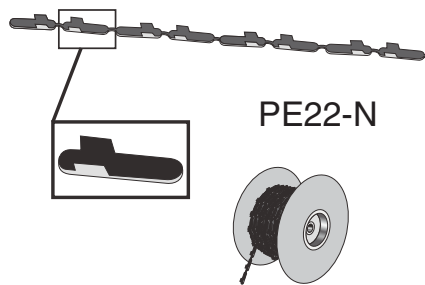




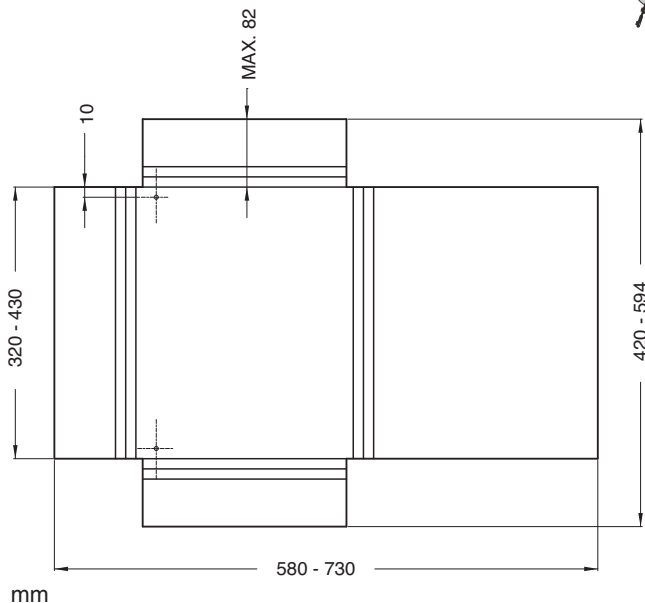
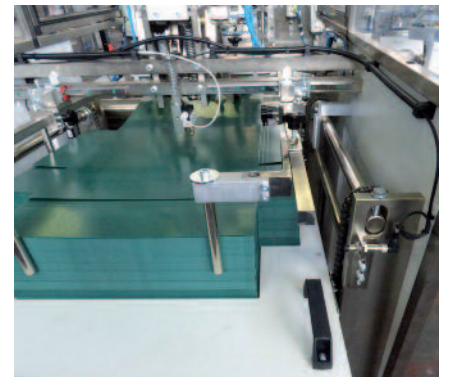
UNICART/S



-  Linea automatica per la produzione di cartelline in un pezzo singolo fustellato, dotate di elastico tondo dritto con 2 terminali metallici arrotondati
-  Automatic line to assemble folders in one single die-cut piece, having one straight round elastic band with 2 rounded metal tags
-  Ligne automatique pour la production de chemises à une seule pièce découpée, douées d'une bande élastique ronde droite avec 2 embouts ferrés arrondis
-  自动生产线，用于单件文件夹纸板上安装圆橡皮筋并两头打鸡眼



PE22-N



Materials: Die-cut folders with thickness 0,35 up to 0,70 mm (300, 400 and 550 gr/mq), Round elastic band 1,8 mm up to 2,5 mm diameter. Metal tags PE22-N2

Capacity: up to 20 cycles/minute*

Electrical power req.: 13 Kw

Compressed air: 800 NL/min. (pressure 7 bar)

Overall dimensions: L-5300 mm W=5300 mm H=2200 mm

* Production capacity of every machine depends on sizes, type of materials, glues and operator skill. Peroni's policy is one of continual product improvement and we can reserve the right to alter design and/or specifications without notice