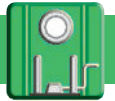




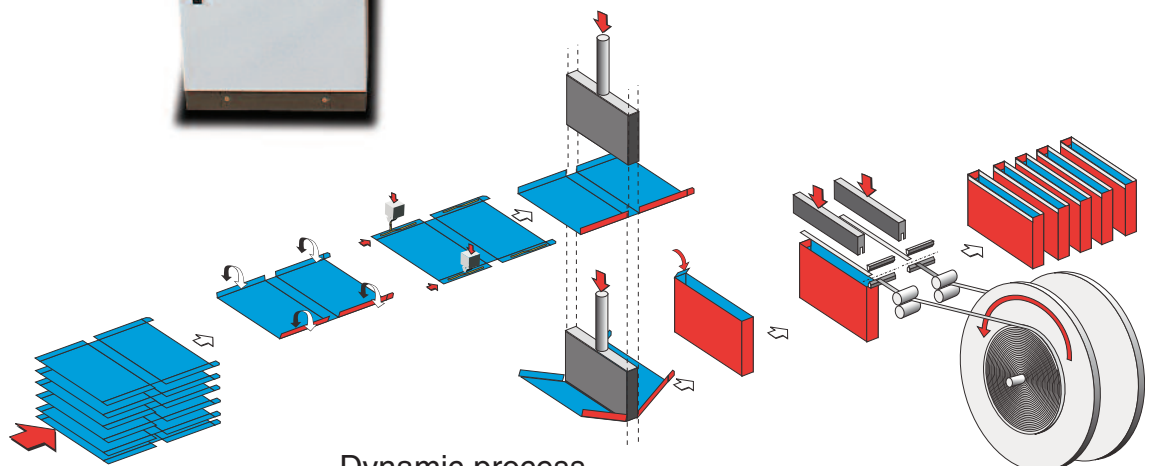


# FP 1500

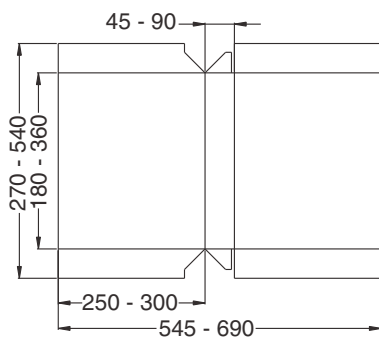


-  Linea automatica per l'incollaggio di custodie per classificatori con bordi rinforzati in metallo – Incollaggio tramite hot-melt
-  *Automatic line to glue file slipcases with reinforced edges (metal reinforcing strips) – Hot-melt gluing system*
-  Ligne automatique pour coller les boîtes à classeurs avec les bords renforcés par une bande métallique – Collage par hot-melt
-  有金属加固边的文件夹封套的胶合自动化生产线—热熔胶合



Dynamic process

mm



Materials:	Coated board, Fiber board or similar
Cardboard thickness:	0,5 mm to 3,5 mm
Capacity:	up to 15 cycles/minute*
Electrical power req.:	6 Kw
Compressed air:	250 NL/min. (pressure 7 bar)
Overall dimensions:	L=6100mm W=1300mm H=2400mm

\* Production capacity of every machine depends on sizes, type of materials, glues and operator skill. Peroni's policy is one of continual product improvement and we can reserve the right to alter design and/or specifications without notice