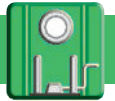




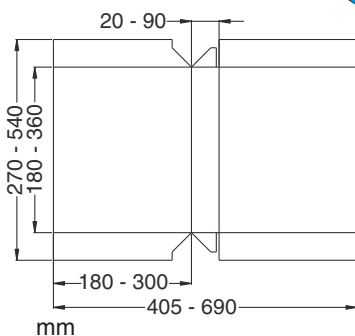
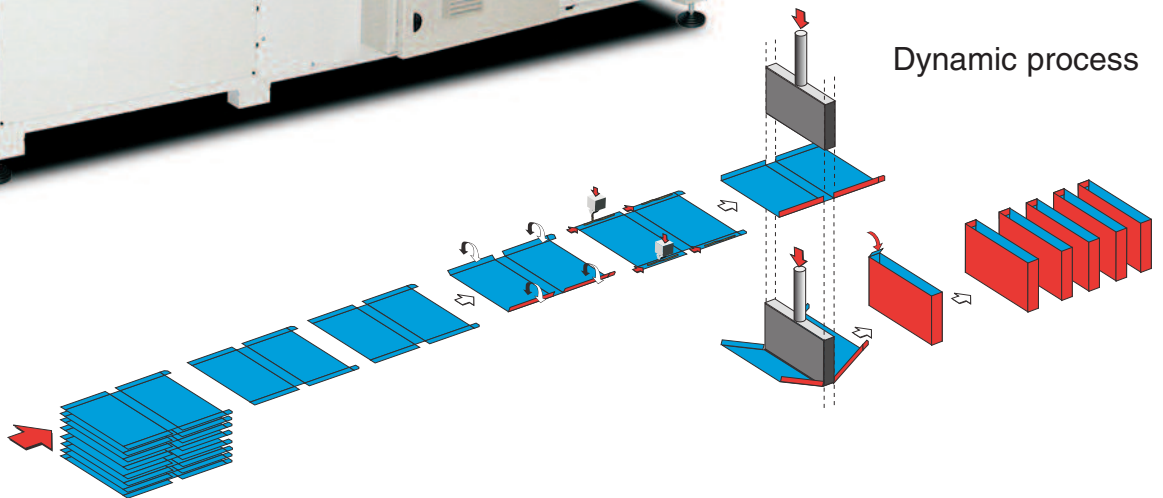


F800-F1000



-  Linee automatiche per l'incollaggio di custodie per classificatori e libri – Incollaggio tramite hot-melt
-  Automatic lines to glue file and book slipcases – Hot-melt gluing system
-  Lignes automatiques pour coller les boîtes à classeurs et à livres – Collage par hot-melt
-  文件夹和书籍封套的胶合自动化生产线—热熔胶合



Materials:	Coated board, Fiber board or similar
Cardboard thickness:	0,5 mm to 3,5 mm
Capacity:	up to 15 cycles/minute*
Electrical power req.:	4 Kw
Compressed air:	150 NL/min. (pressure 7 bar)
Overall dimensions:	L=4800mm W=1300mm H=2400mm

* Production capacity of every machine depends on sizes, type of materials, glues and operator skill. Peroni's policy is one of continual product improvement and we can reserve the right to alter design and/or specifications without notice