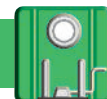
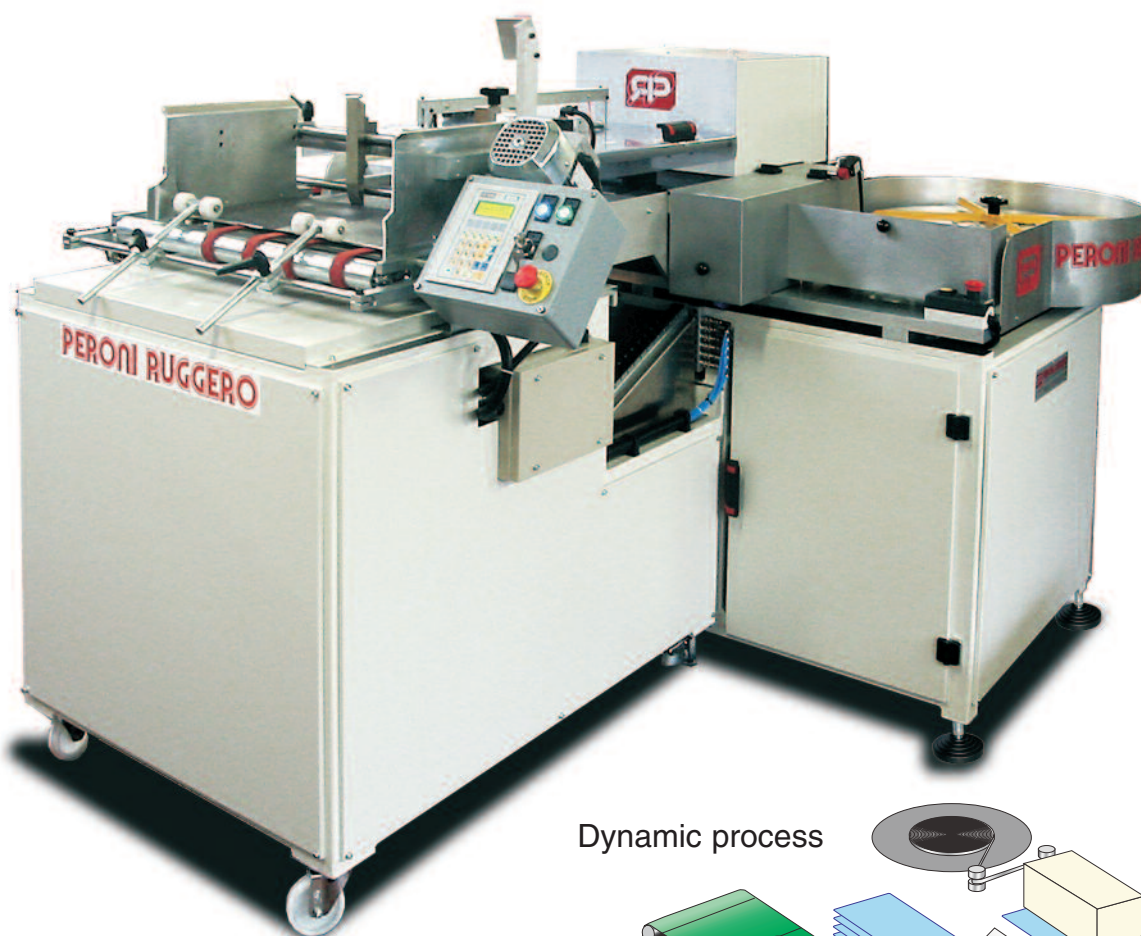


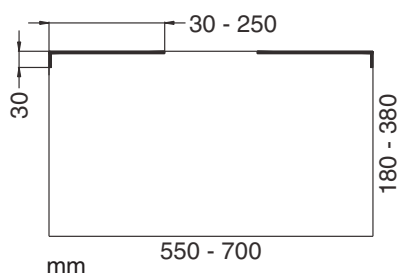
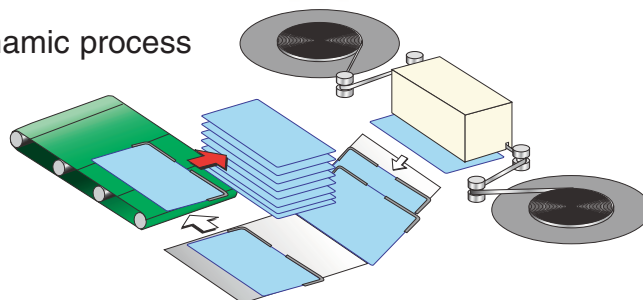
# BRC-2T/AS



- 🇮🇹 Macchina automatica per l'applicazione di rinforzi metallici angolari su classificatori a leva (2 angoli per ciclo) – Alimentazione plance in automatico
- 🇬🇧 Automatic machine for applying reinforcing metal strips (edges) on file corners (2 edges per cycle) – Automatic board feeding unit
- 🇫🇷 Machine automatique pour poser des protège-bords en métal aux coins des classeurs à levier (2 renforts par cycle) – Alimentation des plats de carton en automatique
- 🇨🇳 用金属包边对压杆文件夹的四角进行加固的自动化机器（每一加工循环加固两个角）—自动材料输送装置



Dynamic process



Materials:	Coated board, Fiber board or similar, Tinned metal strip
Band dimensions:	Height 6,95 mm (+ 0, -0,15 mm) Thickness 0,25 mm (± 0,01)
Corner size:	Short side 30 mm Long side min. 30 max. 250 mm
Cardboard thickness:	from 1,7 mm to 2,8 mm
Capacity:	25 file cases (with 2 protections)/minute*
Electrical power req.:	4 Kw
Compressed air:	200 NL/min. (Pressure 7 bar)
Overall dimensions:	L=2400mm W=2500mm H=1400mm

\* Production capacity of every machine depends on sizes, type of materials, glues and operator skill. Peroni's policy is one of continual product improvement and we can reserve the right to alter design and/or specifications without notice